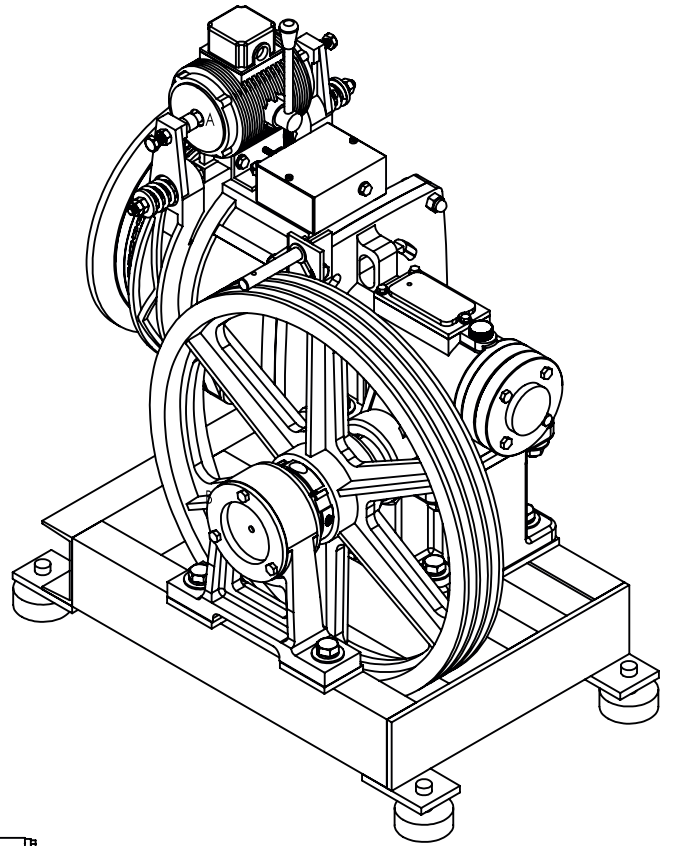
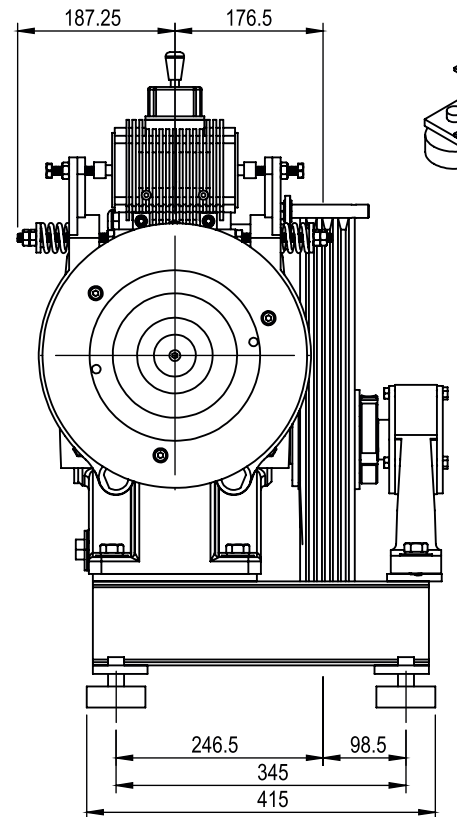
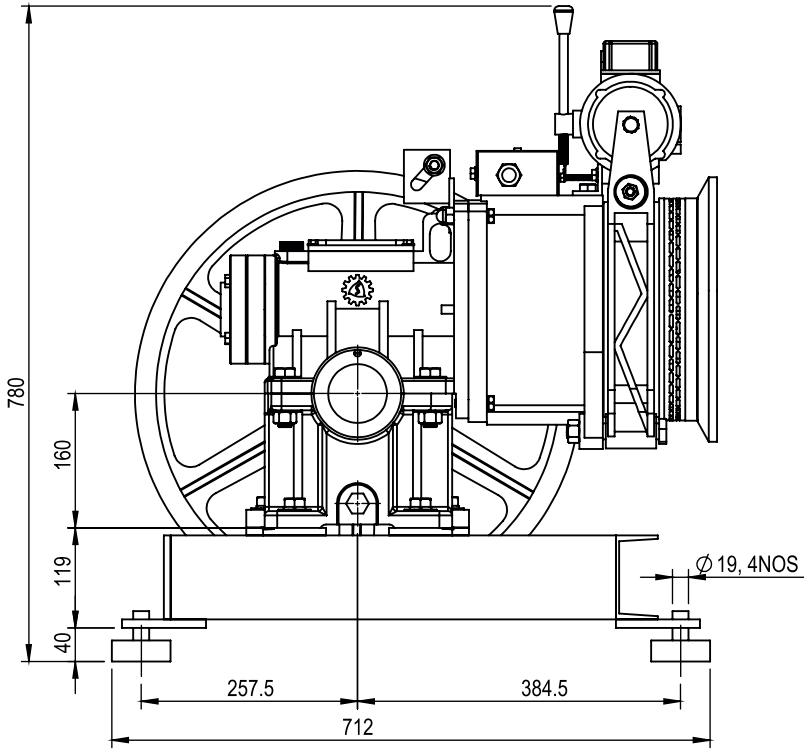
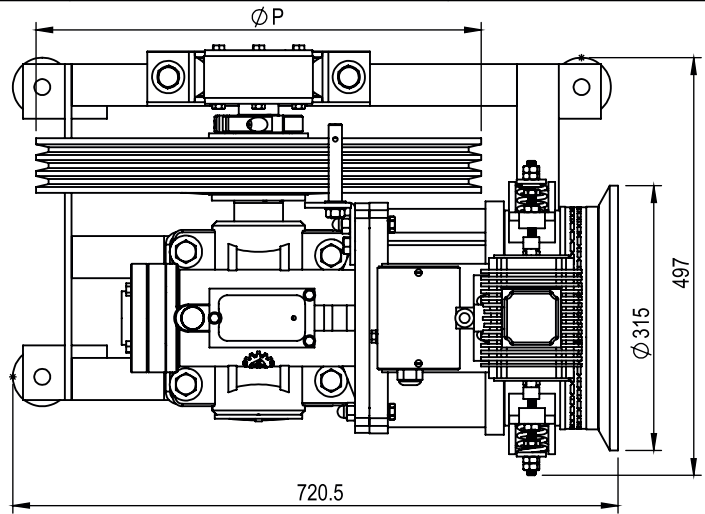


ALL DIMENSION ARE IN MM UNLESS OTHERWISE SPECIFIED.

THIS DRAWING CONTAINS INFORMATION PROPERTY TO SHYPOD ENGINEERS AND IS NOT TO BE USED TO REPRODUCED WITHOUT PERMISSION OF SHYPOD ENGINEERS.



REVISION NO.	DISCRPTION	DATE	APPROVED BY.	DRWN BY. S S	SIZE A4	SCALE		TITLE :
				DRWN DATE 13-04-2022				SYD -100 G.A. DRAWING

